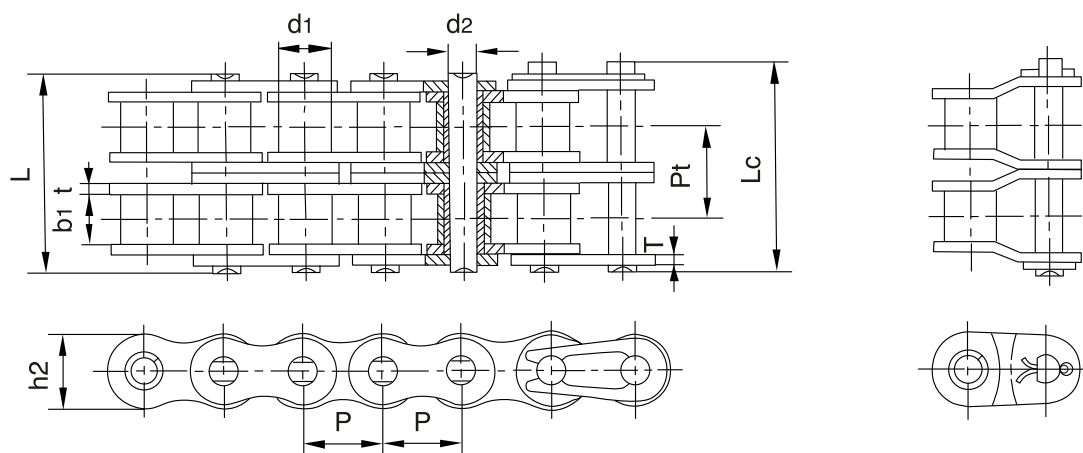
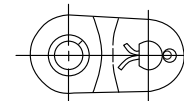
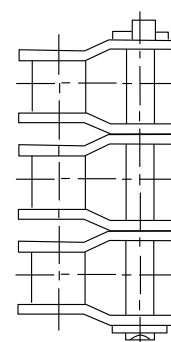
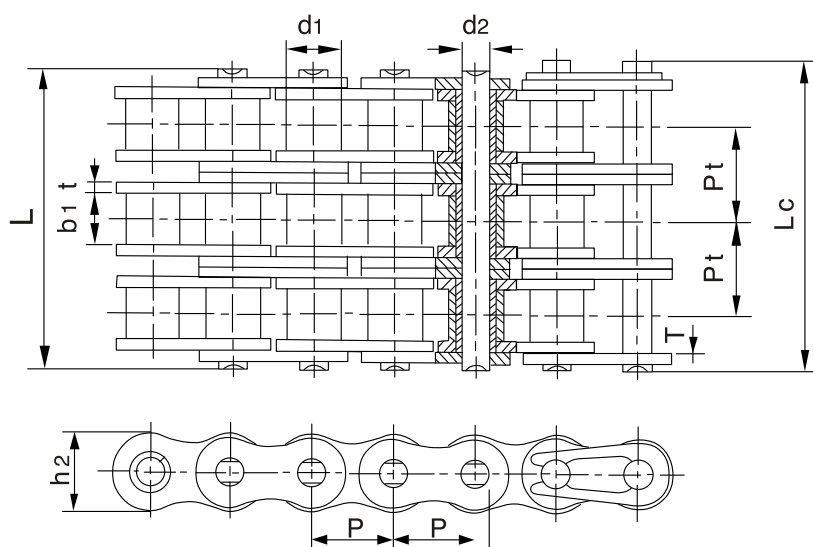


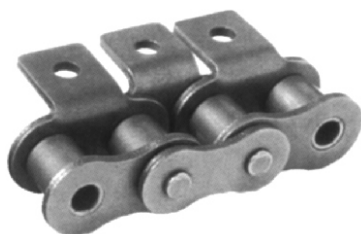
DIN/ISO	P mm.	d1 max mm.	b1 min mm.	d2 max mm.	L max mm.	Lc min mm.	h2 max mm.	t/T max mm.	Q min. kN	Q0 kN	q kg/m.
04B-1	6.000	4.00	2.80	1,85	6.80	7.8	5.00	0.60	3.0	3.2	0.11
05B-1	8.000	5.00	3.00	2.31	8.20	8.9	7.10	0.80	5.0	5.9	0.20
*06B-1	9.525	6.35	5.72	3.28	13.15	14.1	8.20	1.30	9.0	10.4	0.41
08B-1	12.700	8.51	7.75	4.45	16.70	18.2	11.80	1.60	18.0	19.4	0.69
10B-1	15.875	10.16	9.65	5.08	19.50	20.9	14.70	1.70	22.4	27.5	0.93
12B-1	19.050	12.07	11.68	5.72	22.50	24.2	16.00	1.85	29.0	32.2	1.15
16B-1	25.400	15.88	17.02	8.28	36.10	37.4	21.00	4.15/3.1	60.0	72.8	2.71
20B-1	31.750	19.05	19.56	10.19	41.30	45.0	26.40	4.5/3.5	95.0	106.7	3.70
24B-1	38.100	25.40	25.40	14.63	53.40	57.8	33.20	6.0/4.8	160.0	178.0	7.10
28B-1	44.450	27.94	30.99	15.90	65.10	69.5	36.70	7.5/6.0	200.0	222.0	8.50
32B-1	50.800	29.21	30.99	17.81	66.00	71.0	42.00	7.0/6.0	250.0	277.5	10.25
40B-1	63.500	39.37	38.10	22.89	82.20	89.2	52.96	8.5/8.0	355.0	394.0	16.35
48B-1	76.200	48.26	45.72	29.24	99.10	107.0	63.80	12/10	560.0	621.6	25.00



DIN/ISO	P mm.	d1 max mm.	b1 min mm.	d2 max mm.	L max mm.	Lc max mm.	h2 max mm.	t/T max mm.	Pt mm.	Q min. kN	Q0 kN	q kg./m.
05B-2	8.000	5.00	3.00	2.31	13.9	14.5	7.10	0.80	5.64	7.8	10.2	0.33
*06B-2	9.525	6.35	5.72	3.28	23.4	24.4	8.20	1.30	10.24	16.9	18.7	0.77
08B-2	12.700	8.51	7.75	4.45	31.2	32.2	11.80	1.60	13.92	32.0	38.7	1.34
10B-2	15.875	10.16	9.65	5.08	36.1	37.5	14.70	1.70	16.59	44.5	56.2	1.84
12B-2	19.050	12.07	11.68	5.72	42.0	43.6	16.00	1.85	19.46	57.8	66.1	2.31
16B-2	25.400	15.88	17.02	8.28	68.0	69.3	21.00	4.15/3.1	31.88	106.0	133.0	5.42
20B-2	31.750	19.05	19.56	10.19	77.8	81.5	26.40	4.5/3.5	36.45	170.0	211.2	7.20
24B-2	38.100	25.40	25.40	14.63	101.7	106.2	33.20	6.0/4.8	48.36	280.0	319.2	13.40
28B-2	44.450	27.94	30.99	15.90	124.6	129.1	36.70	7.5/6.0	59.56	360.0	406.8	16.60
32B-2	50.800	29.21	30.99	17.81	124.6	129.6	42.00	7.0/6.0	58.55	450.0	508.5	21.00
40B-2	63.500	39.37	38.10	22.89	154.5	161.5	52.96	8.5/8.0	72.29	630.0	711.9	32.00
48B-2	76.200	48.26	45.72	29.24	190.4	198.2	63.80	12/10	91.21	1000.0	1130.0	50.00



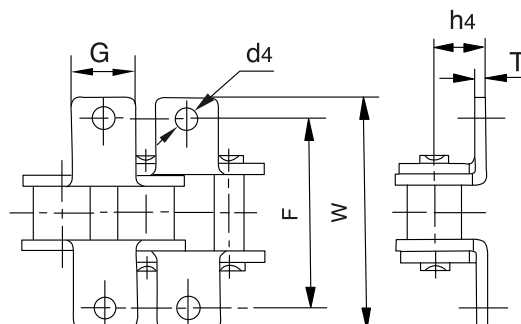
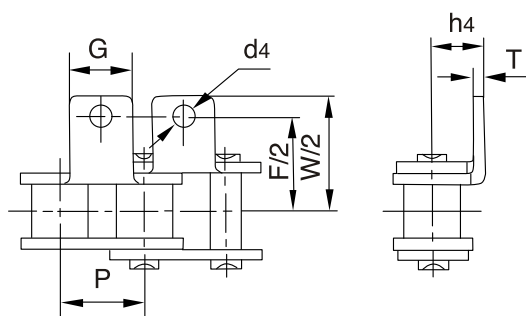
DIN/ISO	P mm.	d1 max mm.	b1 min mm.	d2 max mm.	L max mm.	Lc min mm.	h2 max mm.	t/T max mm.	Pt mm.	Q min. kN	Q0 kN	q kg./m.
05B-3	8.000	5.00	3.00	2.31	19.5	20.2	7.10	0.80	5.64	11.1	13.8	0.48
*06B-3	9.525	6.35	5.72	3.28	33.5	34.6	8.20	1.30	10.24	24.9	30.1	1.16
08B-3	12.700	8.51	7.75	4.45	45.1	46.1	11.80	1.60	13.92	47.5	57.8	2.03
10B-3	15.875	10.16	9.65	5.08	52.7	54.1	14.70	1.70	16.59	66.7	84.5	2.77
12B-3	19.050	12.07	11.68	5.72	61.5	63.1	16.00	1.85	19.46	86.7	101.8	3.46
16B-3	25.400	15.88	17.02	8.28	99.8	101.2	21.00	4.15/3.1	31.88	160.0	203.7	8.13
20B-3	31.750	19.05	19.56	10.19	114.2	117.9	26.40	4.5/3.5	36.45	250.0	290.0	10.82
24B-3	38.100	25.40	25.40	14.63	150.1	154.6	33.20	6.0/4.8	48.36	425.0	493.0	20.10
28B-3	44.450	27.94	30.99	15.90	184.2	188.7	36.70	7.5/6.0	59.56	530.0	609.5	24.92
32B-3	50.800	29.21	30.99	17.81	183.2	188.2	42.00	7.0/6.0	58.55	670.0	770.5	31.56
40B-3	63.500	39.37	38.10	22.89	226.8	233.8	52.96	8.5/8.0	72.29	950.0	1092.5	48.10
48B-3	76.200	48.26	45.72	29.24	281.6	289.4	63.80	12/10	91.21	1500.0	1710.0	75.00



A-1



K-1



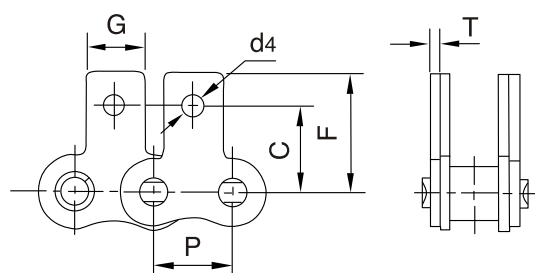
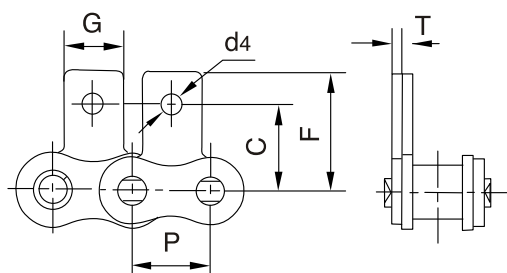
DIN/ISO	P mm.	G mm.	F mm.	W mm.	T mm.	h4 mm.	d4 mm.
*06B	9.525	8.0	19.04	27.0	1.30	6.50	3.5
08B	12.700	9.5	25.40	36.4	1.60	8.90	4.5
10B	15.875	14.3	31.75	44.6	1.70	10.31	5.3
12B	19.050	16.0	38.10	52.4	1.85	13.46	6.4
16B	25.400	19.1	50.80	72.6	3.10	15.88	6.4
20B	31.750	35.0	63.50	100.5	3.50	19.80	9.0
24B	38.100	30.0	76.20	108.4	4.80	26.67	10.5



SA-1



SK-1



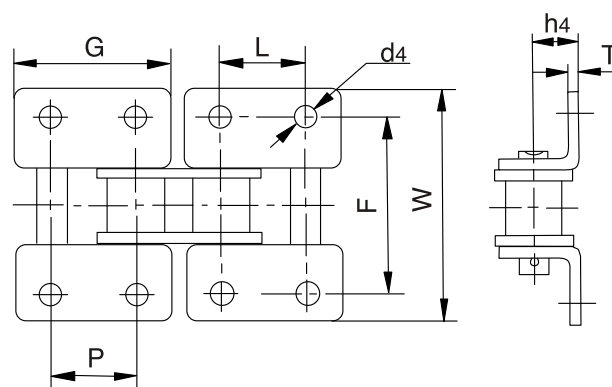
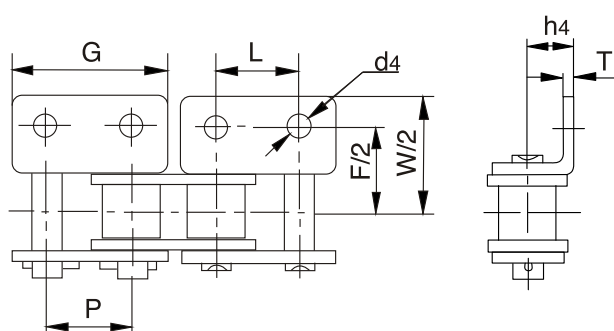
DIN/ISO	P mm.	G mm.	C mm.	F mm.	T mm.	d ₄ mm.
*06B	9.525	8.0	9.52	13.50	1.30	3.5
08B	12.700	9.5	13.35	18.90	1.60	4.3
10B	15.875	14.3	16.50	22.95	1.70	5.3
12B	19.050	16.0	21.45	28.60	1.85	6.4
16B	25.400	19.1	23.15	34.00	3.10	6.4
20B	31.750	35.0	30.50	45.70	3.50	9.0



WA-2



WK-2



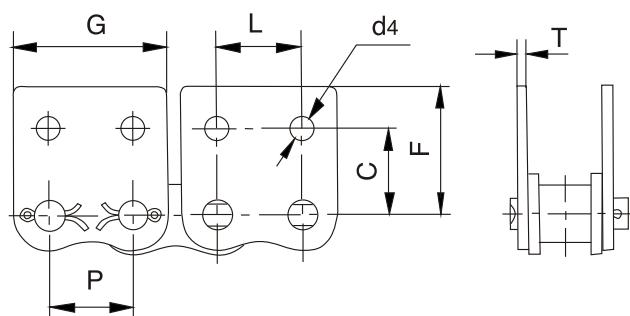
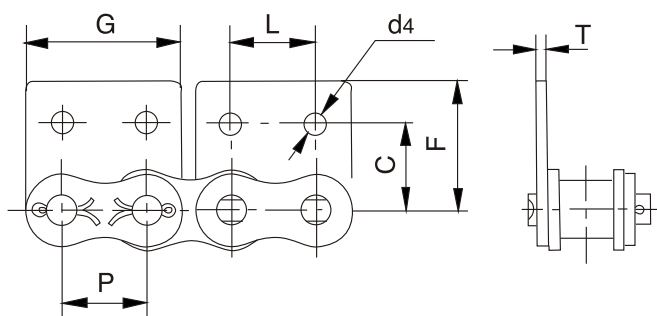
DIN/ISO	P mm.	G mm.	L mm.	F mm.	W mm.	T mm.	h ₄ mm.	d ₄ mm.
* 06	9.52	17,65	9.52	19.05	27,50	1.30	6.50	3.5
08B	12.700	24.00	12.700	25.40	36.4	1.60	8.90	4.3
10B	15.875	29.58	15.875	31.80	44.6	1.70	10.31	5.3
12B	19.050	34.05	19.050	38.10	52.4	1.85	13.46	6.4
16B	25.400	46.40	25.400	50.80	72.6	3.10	15.88	6.4
20B	31.750	58.10	31.750	63.00	100.5	3.50	19.80	9.0
24B	38.100	71.30	38.100	76.20	108.4	4.80	26.67	10.5



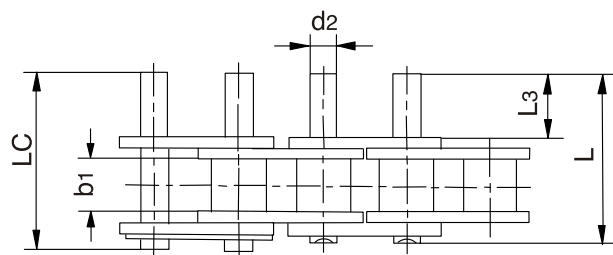
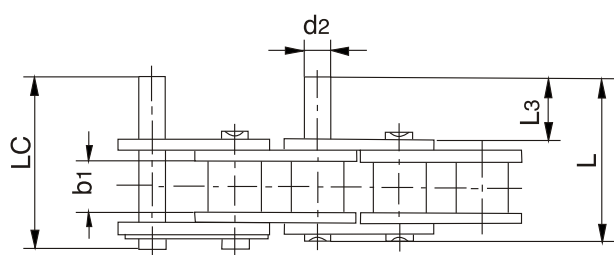
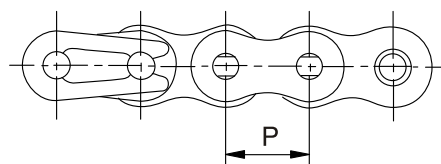
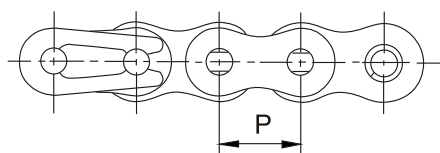
WSA-2



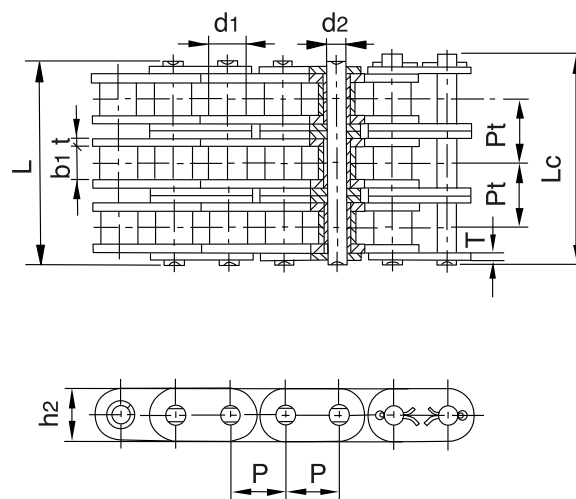
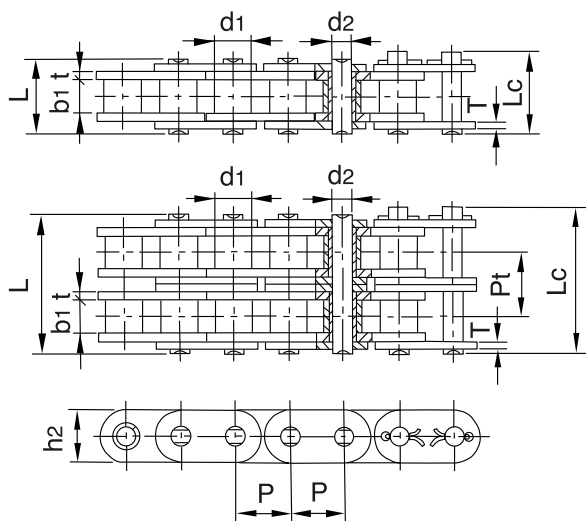
WSK-2



DIN/ISO	P mm.	G mm.	L mm.	C mm.	F mm.	T mm.	d ₄ mm.
*06B	9.52	17,65	9.52	9.52	13.50	1.30	3.5
8B	12.700	23.30	12.700	13.35	18.90	1.60	4.3
10B	15.875	29.58	15.875	16.50	22.95	1.70	5.3
12B	19.050	34.05	19.050	21.45	28.60	1.85	6.4
16B	25.400	46.40	25.400	23.15	34.00	3.10	6.4
20B	31.750	58.10	31.750	30.50	45.70	3.50	9.0



DIN/ISO	P mm.	b ₁ mm.	d ₂ mm.	L ₃ mm.	L mm.	L _c mm.
*06B	9.52	5.72	3.28	11.3	23.4	24.4
08B	12.700	7.75	4.45	15.5	31.2	32.2
10B	15.875	9.65	5.08	17.8	36.1	37.5
12B	19.050	11.68	5.72	20.7	42.0	43.6
16B	25.400	17.02	8.28	33.2	68.0	69.3



DIN/ISO	P mm.	d1 max mm.	b1 min mm.	d2 max mm.	L max mm.	Lc max mm.	h2 max mm.	t/T max mm.	Pt mm.	Q min. kN	Q0 kN	q kg./m.
C08B-1	12.700	8.51	7.75	4.45	16.7	18.2	11.8	1.60		18.0	19.5	0.80
C10B-1	15.875	10.16	9.65	5.08	19.5	20.9	14.7	1.70		22.4	27.9	1.06
C12B-1	19.050	12.07	11.68	5.72	22.5	25.2	16.0	1.85		29.0	32.2	1.32
C16B-1	25.400	15.88	17.02	8.28	36.1	39.1	21.0/24.0	4.15/3.1		60.0	72.8	3.08/3.49
C20B-1	31.750	19.05	19.56	10.19	41.3	45.0	26.4	4.5/3.5		95.0	106.7	4.16
C24B-1	38.100	25.40	25.40	14.63	53.4	57.8	33.2	6.0/4.8		160.0	178.0	7.47
C28B-1	44.450	27.94	30.99	15.90	65.1	69.5	36.7	7.5/6.0		200.0	222.0	9.90
C32B-1	50.800	29.21	30.99	17.81	66.0	71.0	42.0	7.0/6.0		250.0	277.5	10.45
C08B-2	12.700	8.51	7.75	4.45	31.2	32.2	11.8	1.60	13.92	32.0	38.7	1.45
C10B-2	15.875	10.16	9.65	5.08	36.1	37.5	14.7	1.70	16.59	44.5	57.8	2.00
C12B-2	19.050	12.07	11.68	5.72	42.0	44.7	16.0	1.85	19.46	57.8	66.1	2.62
C16B-2	25.400	15.88	17.02	8.28	68.0	71.0	21.0/24.0	4.15/3.1	31.88	106.0	133.0	6.10/6.92
C20B-2	31.750	19.05	19.56	10.19	77.8	81.5	26.4	4.5/3.5	36.45	170.0	211.2	8.23
C24B-2	38.100	25.40	25.40	14.63	101.7	106.2	33.2	6.0/4.8	48.36	280.0	319.2	14.77
C28B-2	44.450	27.94	30.99	15.90	124.6	129.1	36.7	7.5/6.0	59.56	360.0	406.8	19.82
C32B-2	50.800	29.21	30.99	17.81	124.6	129.6	42.0	7.0/6.0	58.55	450.0	508.5	20.94
C08B-3	12.700	8.51	7.75	4.45	45.1	46.1	11.8	1.60	13.92	47.5	57.8	2.10
C10B-3	15.875	10.16	9.65	5.08	52.7	54.1	14.7	1.70	16.59	66.7	84.5	2.87
C12B-3	19.050	12.07	11.68	5.72	61.5	64.2	16.0	1.85	19.46	86.7	101.8	3.89
C16B-3	25.400	15.88	17.02	8.28	99.8	102.9	21.0/24.0	4.15/3.1	31.88	160.0	203.7	9.12/10.34
C20B-3	31.750	19.05	19.56	10.19	114.2	117.9	26.4	4.5/3.5	36.45	250.0	290.0	11.34
C24B-3	38.100	25.40	25.40	14.63	150.1	154.6	33.2	6.0/4.8	48.36	425.0	493.0	22.10
C28B-3	44.450	27.94	30.99	15.90	184.2	188.7	36.7	7.5/6.0	59.56	530.0	609.5	29.64
C32B-3	50.800	29.21	30.99	17.81	183.2	88.2	42.0	7.0/6.0	58.55	670.0	770.5	31.27